

16 INCH WATERFALL WEIR | AD46555 | USER GUIDE



INCLUDES / COMPREND :

- (A) ROCK BIO MEDIA
MÉDIAS BIOLOGIQUES DE ROCHE**
- (B) FINE FILTER
FILTRE FIN**
- (C) COARSE FILTER
FILTRE RUDE**
- (D) BIO-BALLS WITH CERAMIC MEDIA
BALLES BIOLOGIQUES
AVEC MÉDIAS EN CÉRAMIQUE**
- (E) WATER WEIR RESERVOIR
RÉSERVOIR DE DÉVERSOIR
DE CASCADE**
- (F) BRACKET AND HARDWARE
PARENTHÈSE ET MATÉRIEL**
- (G) 1" - 1.5" BARBED
CONNECTION AND CLAMP
RACCORDEMENT DE TUYAU FILETÉ
38 mm - 25.4 mm ET COLLIER**

INTENDED USE:

Properly installed, this item is the basis of a functional waterfall or "stream basin" feature for your pond. The included hardware and accessories allows for virtually any application.

Our stated "recommended pump compatibility" is based on the intention of a sheer cascade of water over the entire 16" of weir output at a weir height of approximately two feet above the pond surface.

However, it can be installed at virtually any height, lower or higher, by calculating your pump choice based on its stated GPH ratings and total head height. We recommend a minimum of 750 GPH.

We strongly recommend using the weir in conjunction with a flexible liner (not supplied) attached using

the supplied mounting bracket, helping to provide a leak-proof installation.

The included filtration components will provide effective mechanical and biological filtration for ponds up to 2000 gallons. Please be advised that ANY filter is intended to be a part of a balanced pond environment, and is not intended to cure algae or other pond problems on its own.

Please see our website www.angelodecor.com for more tips on how to use this product.

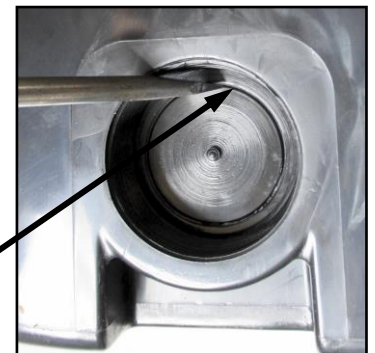
Before you begin:

Determine which side of the weir will be used for the water input. The weir has both left and right side inlets, however they are factory sealed and require a "knockout" hole pushed out to activate the inlet.

Knock-out Instructions

1. Select side to punch out. Only one side should be opened.
2. Locate the circular groove.
3. Using a hammer and flat head screw driver, place the head of the screwdriver in the groove and firmly punch along the perimeter in a clockwise rotation.

**KNOCK-OUT
GROOVE**



ASSEMBLY INSTRUCTIONS

1. PREPARING THE CONNECTION

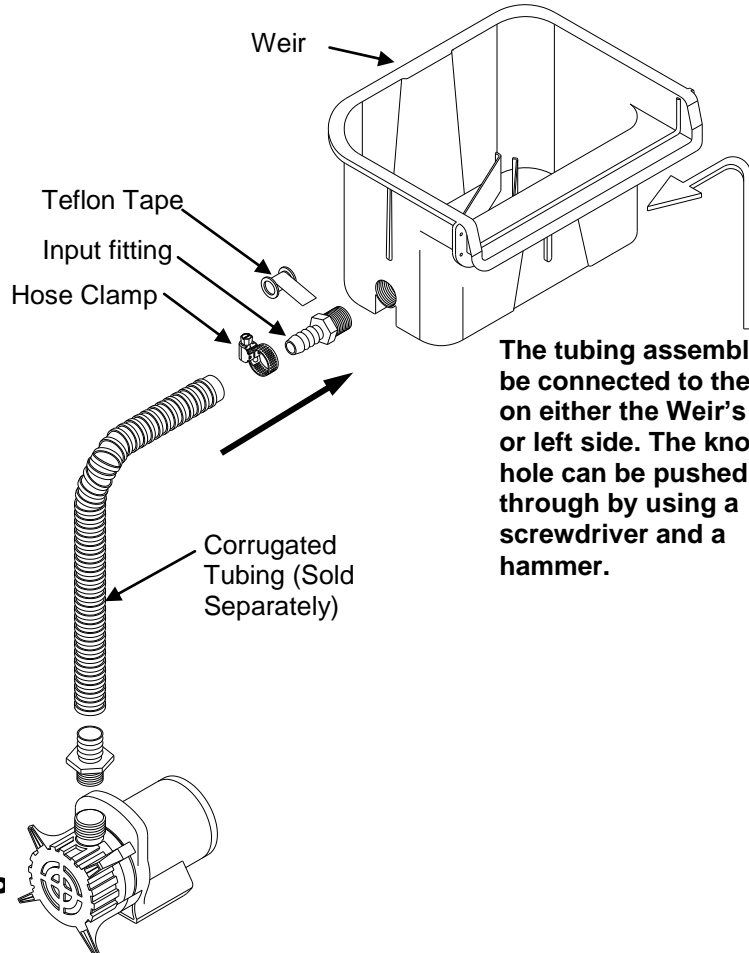
Step 1: Apply Teflon Tape to the threads of the **Input fitting**. If using 1 1/2" tubing, you can gently saw off the 1" extension portion to allow maximum flow.



Step 2: Connect the **Input fitting** to the chosen side of the weir by threading it securely to the unit.

Step 3: Place the **Hose Clamp** over one end of the **Tubing**.

Step 4: Attach the **Tubing** to the **Input fitting** and tighten the **Hose Clamp** to seal.



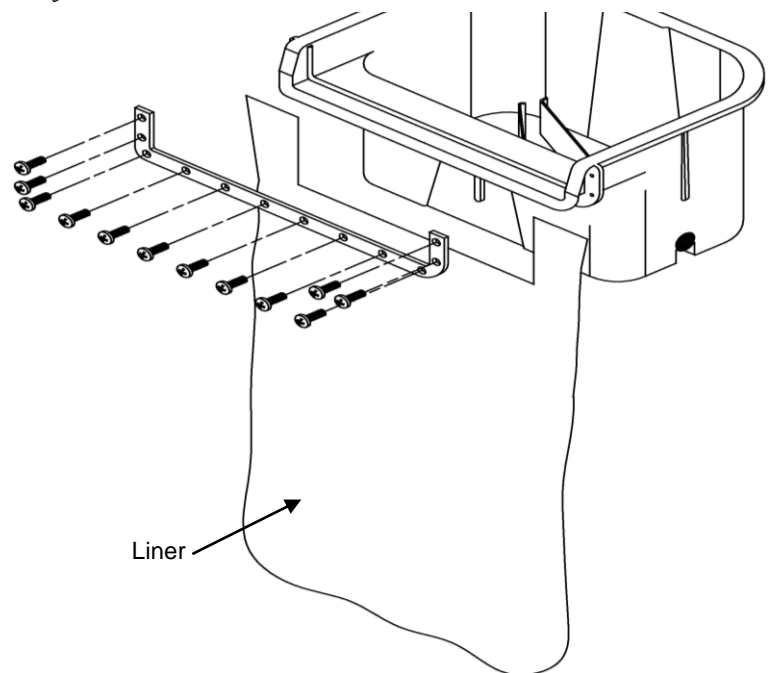
2. ATTACHING LINER (SOLD SEP

Step 1: Determine the size and shape of the liner required to provide a secure spillway, to reduce the chance of any water loss due to splash.

Step 2: Cut the **Liner** as shown in diagram #3 to allow proper fit to the **Weir**

Step 3: Attach the top end of the **Liner** to the **Weir** using the **Bracket**, securing with **12 Screws**, as shown.

Tip: Using clear outdoor silicone is always a good way of providing a waterproof seal to any addition to your weir.



3. ADDING FILTRATION COMPONENTS TO WEIR

Before you begin:

The pump being used determines the best placement of the included bio-media. If a pump larger than 1500gph is used, with a weir height of 2' or less, the rocks are intended to hold the foam media in place due to the pressure a larger pump will create.

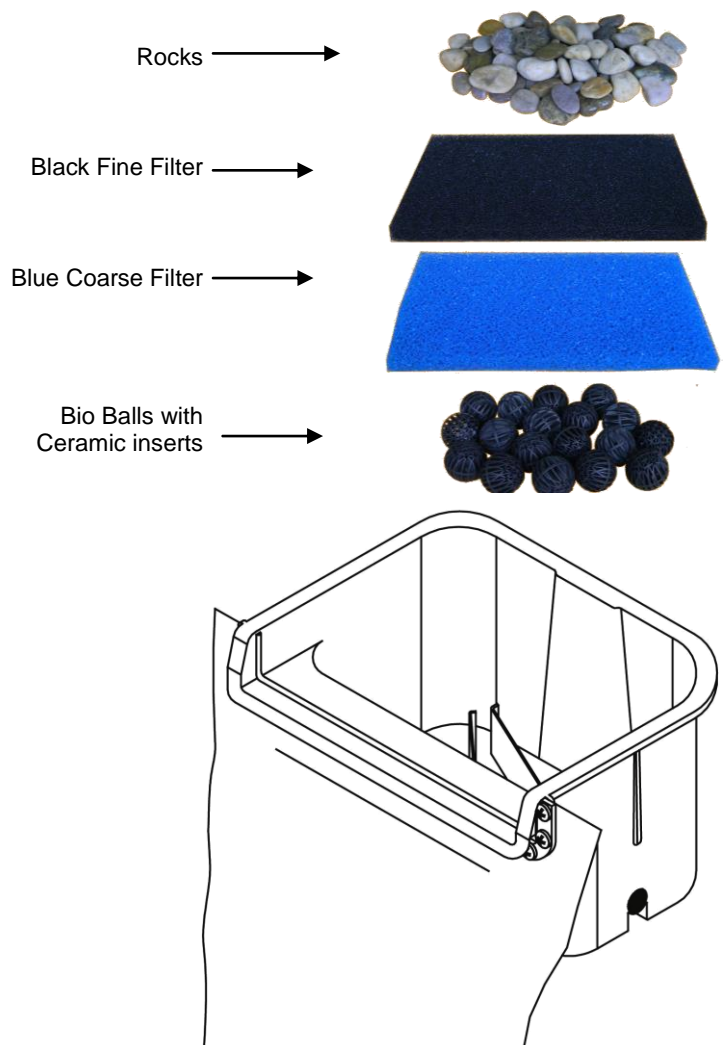
STEP 1: Fill the bottom baffle area of weir with either the bio-balls, or the rock media. If using a pump of 1500gph or less, with the weir covered to hide the media, using the bio-balls on top, inside the mesh bag, is an excellent choice.

STEP 2: Use the blue coarse foam filter as your first stage of mechanical filtration, placing on top of baffles. As the water flows in from the bottom, using the coarse pad first is strongly recommended.

STEP 3: Use the black fine foam filter as your second stage mechanical filter.

STEP 4: Use final stage bio-media of your choice (rocks or bio-balls) on top of black foam.

Tip: Always consider access to the weir for cleaning and maintenance when planning to cover or hide the unit in your final installation plan.



! IMPORTANT SAFETY INFORMATION:

Inspect before use for any damage to the unit. Any damage or missing parts should be reported immediately and before attempting use.

Failure to follow these instructions and warnings may lead to product damage or personal injury of which *Angelo Décor International Inc.* will not be held liable.

1. NEVER leave children unsupervised or out of sight around ANY pond environment.
2. Always unplug power from pumps or other electrical devices BEFORE putting hands in water, or if service and maintenance is performed.
3. Always use properly grounded (GFCI) electrical equipment and a drip loop on any power cords to prevent water from travelling along the cord.
4. Do not lift the Weir out of the pond using the tubing.
5. Item is intended for use with fresh water only. Do not use with flammable materials.

POND HEALTH TIPS BEFORE INSTALLATION

For best results functional (plants and fish) ponds should not be exposed to full sun, and have sufficient plant cover to promote a balanced environment.

Overfeeding fish is the #1 contributor to pond problems, and should be avoided.

If pond is in an area close to falling leaves or debris, a net style cover should be used.

INSTALLATION INSTRUCTIONS:

Before you begin:

The **most important advice for choosing a location** we can provide is to find an area that offers enough level space in a “High Ground” area of your yard that fits your intentions.

Avoiding low lying area offers the best protections against the potential of water runoff causing flooding, or unwanted residues of herbicides, pesticides, or other hazardous garden chemicals that can adversely affect your ponds’ ecosystem.

Considerations for creating viewpoints from the most commonly used areas of your yard, deck, or patio, coupled with a line of sight from inside your home is also highly recommended.

Access to GFCI power at a safe distance (five feet) is another primary consideration.

PUMP SIZE SUGGESTIONS

1’ – 2’ Height:

750 gph minimum / 1500gph maximum

2’ – 4’ Height:

1000 gph minimum / 2500gph maximum

4’ – 6’ Height:

1500 gph minimum / 5000gph maximum

STEP 1: Build an elevated area to partially bury the Weir, using surrounding landscape materials.

STEP 2: Place the Weir on top of the mound, draping the liner into the pond. Pack the area surrounding the weir until it is solid.

STEP 3: Secure the mound and Weir with rocks, bricks, or other reinforcement.

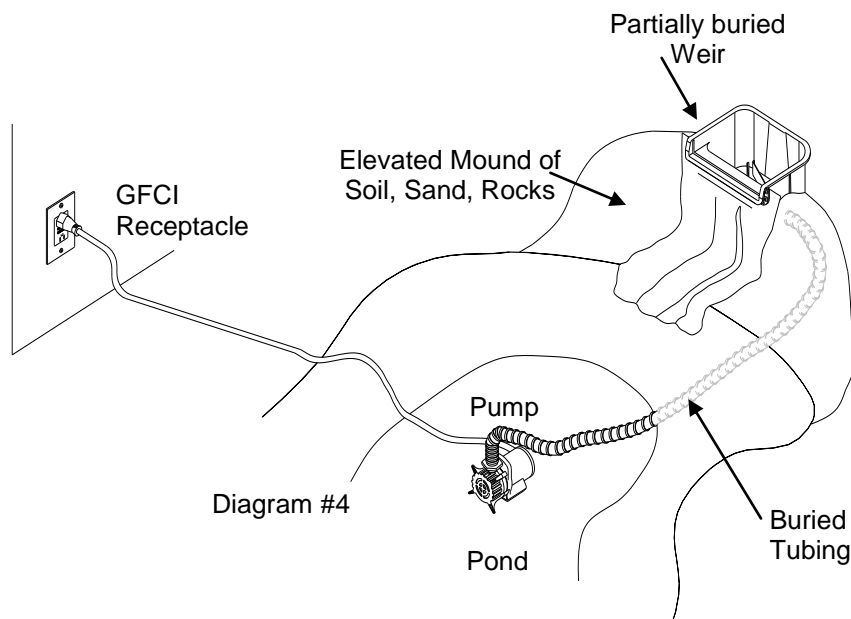
STEP 4: Place the **Pump** in the pond and attach tubing securely to pump output.

STEP 5: Bury the **Tubing**.

STEP 6: Fill the Pond with water.

STEP 7: Plug pump into GFCI Outlet, check flow of waterfall, look for any leaks, and adjust if necessary

STEP 8: Finish your surrounding landscape with rocks, plants, etc. covering the weir components as much as possible.



QUESTIONS? REPLACEMENT PARTS?

PLEASE DO NOT RETURN THIS PRODUCT TO THE STORE

Visit our website (www.angelodecor.com) for more information and videos on how to assemble and properly use your product.

FILTER CLEANING AND MAINTENANCE

When a drop in performance is noted, the need for filter cleaning is the most common reason. Cleaning intervals depend on your pond environment.

The foam filters will need replacement seasonally at minimum, and are available in various materials. See our website for details on all replacement parts.

The biological media should not be replaced if you are keeping a balanced pond. It will require cleaning of excess debris, but the beneficial bacteria remains.

The ceramic media will degrade over time and can be replaced. The two part “Snap Sealed Bio-Balls” can be opened to refill the ceramic media.

We recommend Microbe-Lift brand products to “charge up” the Filters’ biological components with the beneficial bacteria necessary to convert waste and pollutants into healthy by-products that further support a balanced pond.

1. Rinse foam filter pads with clean water outside of pond.
2. Filter pads that are hard to clean should be replaced.
3. Clean the bio-media by rinsing with clean water outside the pond.
4. Cleaning agents or chemicals should not be used.
5. If storing the filter for winter, media should be dry and clean. Recharge the filter with beneficial bacteria for start up in the spring.

LIMITED WARRANTY

This item is warranted to the original user against defective materials and workmanship for a period of 12 months. Warranty does not cover replaceable filter materials such as foam or bio media. Our limited warranty does not cover any costs associated with the installation or removal of products subject to warranty claims or the cost of return of the item. The warranty will commence from the date of purchase. Replacement liability is limited to any part or parts of the unit which have failed due to defective material or workmanship. Proof of purchase is required for all claims against the limited warranty. This warranty does not extend to damage of the product or part resulting from accident, misuse, alteration, neglect, abuse, improper installation or normal wear and tear to the product(s). This limited warranty extends only to the original user of the product.

***For more information on this and other products, please visit our web site:
www.angelodecor.com***

To contact us regarding this unit, your options include:

Email: customersupport@angelodecor.com | Phone: (780) 453 - 6646 | Fax: (780) 453- 6620

Angelo Décor International Inc. | 15840 – 118th Avenue | Edmonton, AB | T5V 1C4