

TROUBLESHOOTING

CAUTION: Unplug the device before handling.

If the unit fails to light:

1. Check the power supply using another electrical device.
2. Ensure the light cord plug socket is properly seated and tight to the transformer.
3. Ensure the bulb is properly seated into the socket.

Note: A bulb replacement may be necessary.

CLEANING AND MAINTENANCE

When a reduction in light performance is noted, the need for cleaning is the most common reason. Cleaning intervals depend on your pond environment.

The colored lenses must be kept clean using a mild soap and soft brush.

If moisture is noticed inside the lens, disassemble the unit, allow to dry, and reassembly properly to insure the protective ring makes a complete seal.

We recommend inspecting the unit annually for any damage to the cord or electrical supply. Unit should be properly stored for winter.

LIMITED WARRANTY

This item is warranted to the original user against defective materials and workmanship for a period of 1 year. Warranty does not cover replaceable materials such as light bulbs or coloured lenses. Our limited warranty does not cover any costs associated with the installation or removal of products subject to warranty claims or the cost of return of the item. The warranty will commence from the date of purchase. Replacement liability is limited to any part or parts of the unit which have failed due to defective material or workmanship. Proof of purchase is required for all claims against the limited warranty. This warranty does not extend to damage of the product or part resulting from accident, misuse, alteration, neglect, abuse, improper installation or normal wear and tear to the product(s). This limited warranty extends only to the original user of the product.

For more information on this and other products, please visit our web site:

www.angelodecor.com

To contact us regarding this unit, your options include:

Email: customersupport@angelodecor.com | Phone: (780) 453 - 6646 | Fax: (780) 453- 6620

Angelo Décor International Inc. | 13619 – 149th Street NW | Edmonton, AB | T5L 2T3

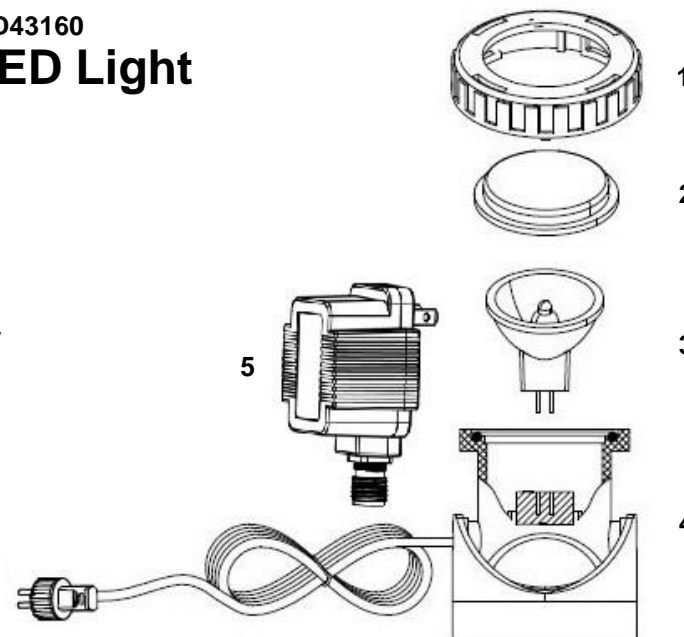


AD43160

LED Light

COMPONENTS

1. Light ring
2. Lens (5)
3. LED light
4. Light base
5. Transformer



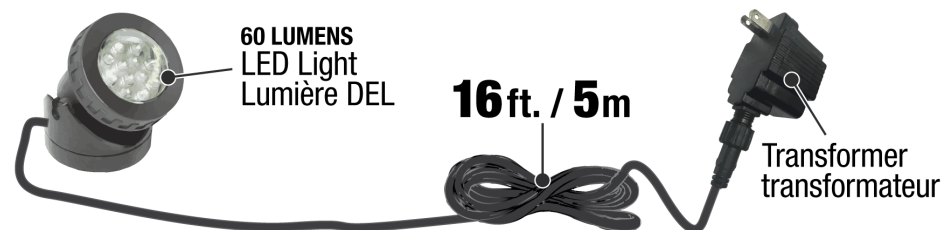
INTENDED USE:

This spotlight is primarily intended for use fully submersed in a pond, fountain, or water feature. It is designed for fresh water use only. It can also be used for landscape lighting.

To reduce the risk of fire or injury, keep lamp away from materials that may burn.

Included interchangeable coloured lenses create additional colour effects.

The **transformer** is weatherproof, but **MUST NOT BE SUBMERSED** in water.



QUESTIONS?

PLEASE DO NOT RETURN THIS PRODUCT TO THE STORE.

Visit our website (www.angelodecor.com) for more information and videos on how to assemble and properly use your product.



WARNING: IMPORTANT SAFETY INFORMATION:

Inspect before use for any damage to the unit or power cord. Any damage or missing parts should be reported immediately and before attempting use. Units with ANY damage to the power cord should not be used.

Failure to follow these instructions and warnings may lead to product damage or personal injury of which *Angelo Décor International Inc.* will not be held responsible or liable.

1. NEVER leave children unsupervised or out of sight around ANY pond environment.
2. Always unplug power from lights, pumps or other electrical devices BEFORE putting hands in water, or if service and maintenance is performed.
3. Always use properly grounded (GFCI) electrical equipment and a drip loop on any power cords to prevent water from travelling along the cord.
4. Keep the power cord away from high temperatures.
5. Do not exceed the voltage as indicated on the transformer.
6. Do not submerge the transformer in water.
7. Always use a cloth when handling the lens or bulb. Oil from your skin can damage the bulb.
8. Do not use near flammable liquids.
9. Do not use in temperatures below 3⁰ Celsius as freezing damage may occur.

TIPS BEFORE INSTALLATION

Ensure the seal, lens, and protective ring are clean, free from debris, and form a tight seal when fully assembled.

Assess the angle you will require and adjust the unit before placing in pond.

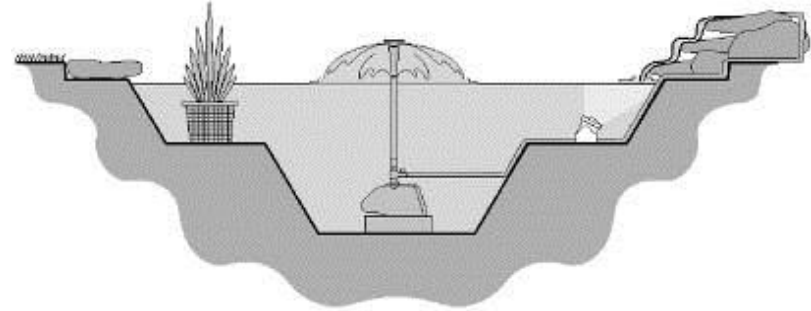
Determine if colored lenses will be used before placing the unit in pond.

Choose an area for your transformer that will protect it from heat sources, excess water, dirt and debris.

Use landscape materials such as stones to hide excess cord, taking care not to puncture or damage the cord in any way.

INSTRUCTIONS FOR USE

1. Assemble and adjust the housing unit WITHOUT PLUGGING IT IN.
2. Place the unit in water on a flat surface with unobstructed access to the feature you wish to illuminate, keeping plug socket end out of water.
3. Attach the light cord plug socket firmly to the transformer.
4. Screw the socket cap nut on hand tight.
5. Plug transformer into a GFCI outlet, KEEPING IT OUT OF THE WATER.



REPLACING THE BULB

Should the bulb burn out, replacements are available.

DISCONNECT UNIT FROM POWER SUPPLY BEFORE HANDLING.

Allow unit to cool before attempting to change the bulb. Please use a cloth when handling the bulb as oils from your skin can damage the bulb.

1. Disassemble the protective ring by turning counterclockwise
2. Remove Lens
3. Gently unplug the bulb from the housing socket.
4. Replace Bulb
5. Reassemble the unit, ensure seal in place, close protective ring tightly, turning clockwise.

