

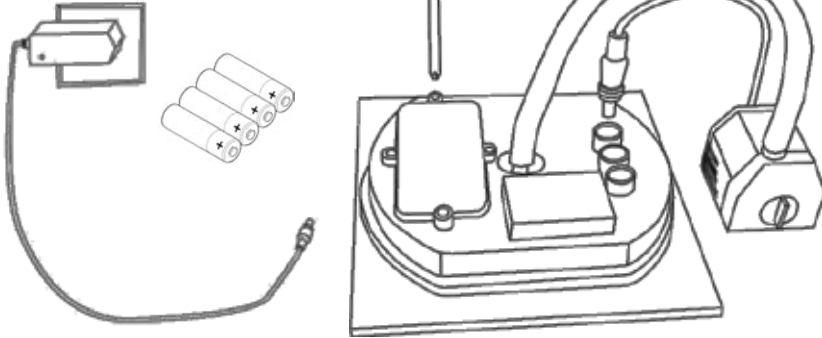
SOLAR / HYBRID FOUNTAIN PUMP USERS MANUAL



Please see our website angelodecor.com
for video version of assembly and use

1. BEFORE YOU BEGIN – ASSEMBLY

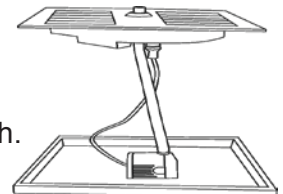
- Unpack all components carefully.



- Install the 4 batteries (supplied), in proper orientation (+/-), in the housing at rear of solar panel using the small screwdriver (supplied)
- **TIGHTEN BATTERY COVER SECURELY FOR PROPER SEAL**
- **Fully charge the unit** using either direct sunlight (minimum 8 hours) or the hybrid charging unit plugged into an indoor power receptacle.

2. PREPARATION FOR USE

- Connect the pump cable to the correct socket of the housing on the rear side of the solar panel.
- Connect the tubing to the pump and input on the solar panel as shown.
- Adjust flow control on pump to desired strength.
- Install assembled unit into the fountain, ensuring the pump sits at bottom of water reservoir.
- Fill fountain water reservoir area to capacity, ensuring the pump is completely submersed in water.

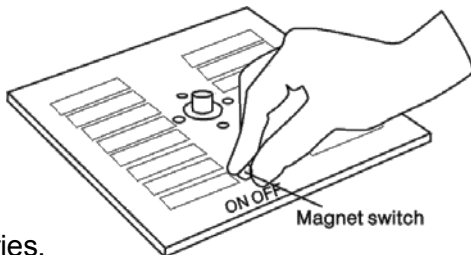


3. OPERATING INSTRUCTIONS

- Choose an area for fountain placement with clear access to full sun for all or part of the day to maximize the solar charge to the batteries.
- Place the unit on a level surface to achieve proper water flow.

Turning on / off the pump and memory system:

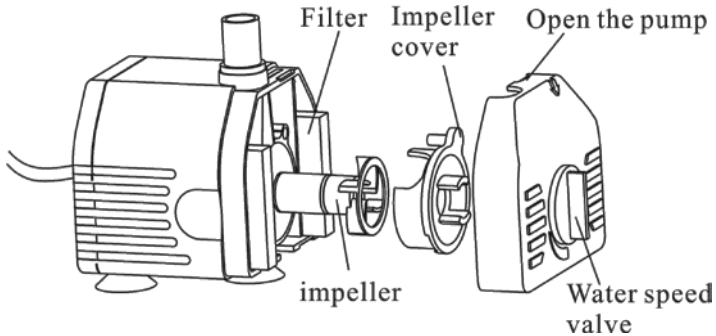
- The supplied magnet is required to switch the pump on and off.
- Sweep the magnet over the on/off switch, touching the panel as lightly as possible.
- The memory function now engages, turning the unit on at the same time daily.
- The unit is preset to operate for up to four hours based on full charge status of the batteries.
- You can adjust the water flow by holding the magnet over the on/off switch until the LED lights flash. You will then notice the water flow vary, increasing then lowering as you continue to hold the magnet in place.
- Remove the magnet when desired flow is achieved. A lower flow rate will increase the ability to reach full four hour run time.
- The memory function records this flow rate, operating the unit at this setting when restarting it at the daily time.
- The LED lights use a sensor, turning on automatically at night.
- The unit shuts itself off after reaching the four hour preset, or if battery status falls below operating range.
- **PLEASE NOTE:** Turning the unit off using the magnet will **CLEAR THE MEMORY FUNCTION.**
- Reactivating the unit with the magnet begins the above process again at the same time daily.
- If using the Hybrid Charging system, unplug the power cord and tubing and remove the unit completely from the fountain.



4. CLEANING AND MAINTENANCE

Solar panel: The panel should be cleaned periodically with a soft tissue. Regular cleaning of the panel is advised to maintain optimum conversion of the sun's energy into direct current.

Pump: To prevent build up of sediment, scale or dirt in the impeller or filter, remove the pump cover and the impeller cover. Clean parts with a soft brush, and mild soap and water.



CAUTIONS / WARNINGS

- **DO NOT TRY TO REMOVE THE IMPELLER.**
- Any alteration of the product or the components will void warranty.
- Do not connect the pump directly to any AC voltage power; it is intended ONLY for DC Voltage power.
- The Hybrid Charging Cable is intended for INDOOR USE ONLY.
- Operate in freshwater only (never above 50°C)
- Keep away from flammable liquids.
- Do not strike the solar panel.
- Do not let the pump run dry.

5. REPLACING BATTERIES

The rechargeable batteries are intended for a life span of up to 18 months based on proper usage and charging. They can be replaced with 4 standard 1.2V / 1200mAh AA size Ni-MH units.

6. TROUBLE SHOOTING

(a) Pump does not operate when solar panel is in full sunlight.

Check: All Wiring and connections from pump to the solar panel.

Check: If Impeller is blocked with debris, clean the pump as described in previous section.

(b) Pump does operate but water flow is very weak.

Check: Low water level causing air in tubing. Fill with water and restart system.

(c) Operating time is shorter than preset time.

Not enough electricity stored in the batteries. Charge properly.

7. TECHNICAL DATA

Item Number	P006B
Solar panel	1.2W – 7V
Pump Operation Voltage	DC 4.5V – 6.5V
Maximum Water lift	0.5 meter
Maximum Flow Rate	150 L/H
LED light Operation Voltage	DC 6V

WARRANTY

- ✧ Pump is covered by a one year limited warranty
- ✧ Solar Panel is covered by a one year limited warranty.
- ✧ Batteries are covered for 90 days.

For more information on our solar items, please visit our web site:

www.angelodecor.com

To contact us regarding this unit, your options include:

Email: info@angelodecor.com

Phone: 780 – 453 6646

Fax: 780 – 453 6620